



***CONVECTION OVEN
MCO GS/GD-10 MU MODEL CE UNIT
Oven Manufactured Up To May 29, 2008***

PARTS LIST

Toll Free Phone, (US & Canada): (800) 427-6668

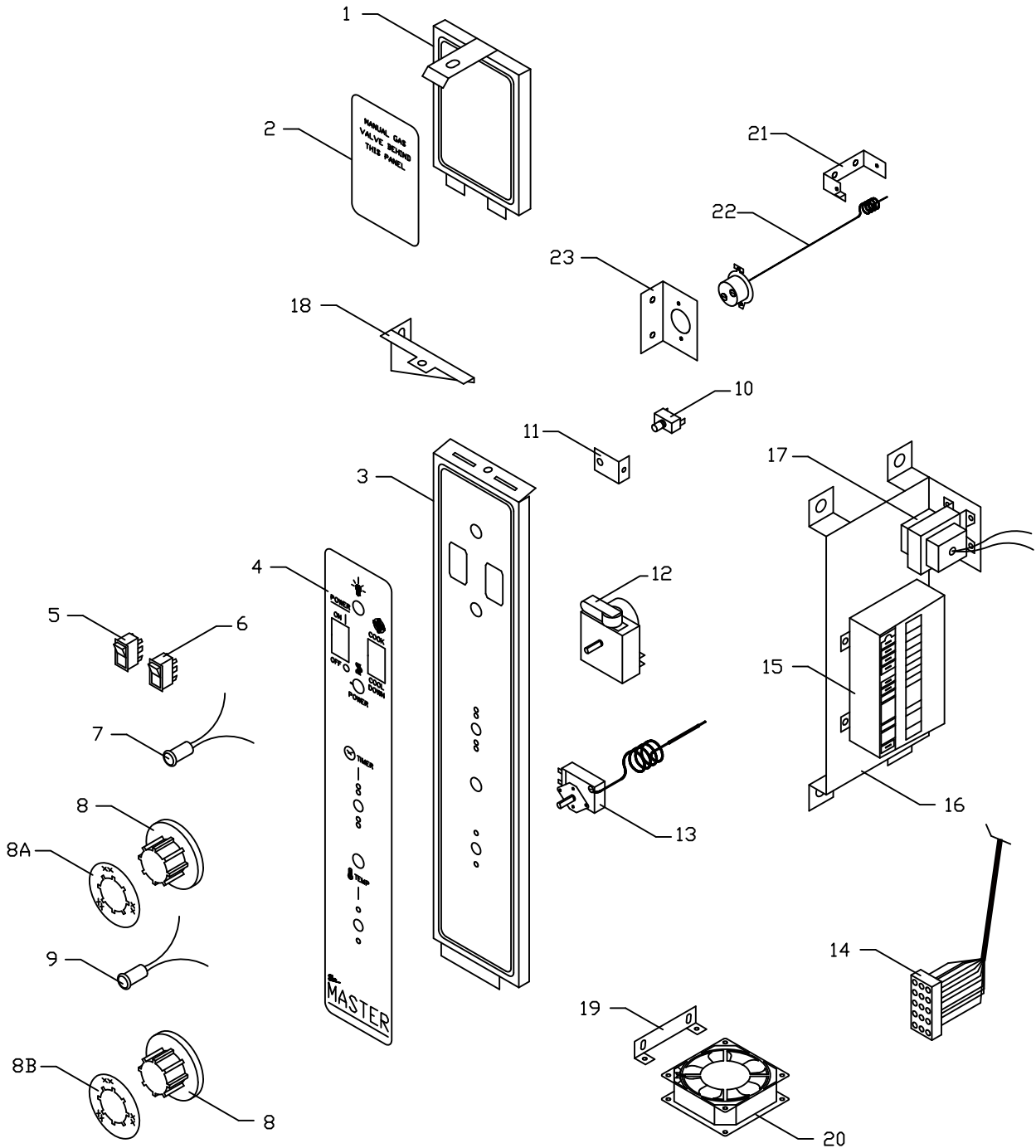
Toll Free Fax, (US & Canada): (800) 361-7745

<http://www.garland-group.com>



MODEL: MCO-GS/GD-10 MU - CE UNITS
Oven Manufactured Up To May 29, 2008

DESCRIPTION	PAGE
Manual Control Panel	4
Digital Control Panel	6
Control Option Section	8
Burner Package Section	10
Dependent Door Section	12
Oven Components	14
Main Exterior	18
Revision History	20

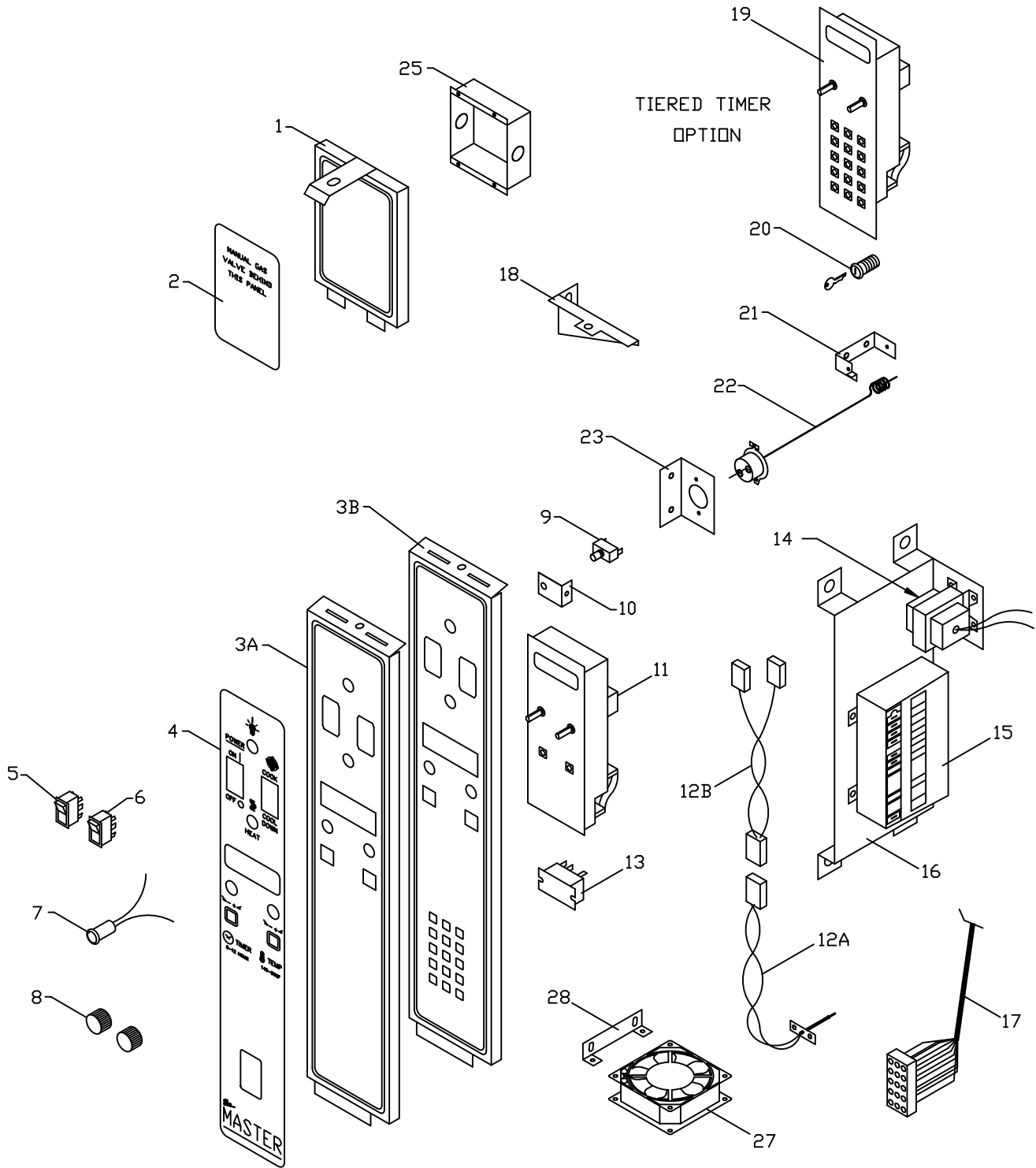


GARLAND PARTS IDENTIFICATION
MANUAL CONTROL PANEL MCO-GS/GD-10 MU MODELS-CE UNITS

ITEM	PART #	DESCRIPTION	MCO-GS/GD-10 MU		
			QTY	FROM	UP TO
1	1802599	Control Panel Top	1		
2	1789605	Overlay Top Control Panel Gas	1		
3	1802504	Control Panel Mechanical	1	Sep-95	
4	1789603	Overlay Gas Man. Control 2 Speed	1		
	1789604	Overlay Gas Man. Control 1 Speed	1		
5	1019203	Rocker Power Switch 2 Pos 1 Speed On/Off	1		
	1019207	Rocker Power Switch 3 Pos 2 Speed On/Off/On	1		
6	1019209	Rocker Power Switch 2 Pos On/Off	1		
7	1270000	Pilot Light Amber 28V	1		
8	G02716-1	Dial - (Universal) Small Shaft	2		
8A	G02725-17	Dial Insert (OFF/150F/550F) Oven F	1		
8B	1314134	Dial Insert 0 - 60 MIN.	1		
9	G01296-3	Pilot Green	1	Aug-95	
10	G03053-1	Momentary Switch Push Button	1		
11	1749201	Panel Restraining Bracket	1	Aug-95	
12	1285701	Mallory Timer 1 hr 240V 50/60H	1		
13	1032400	Thermostat (Use G02902-01)	1		
14	1804704	Wire Harness - Mechanical Gas	1		
14A*	1804702	Wire Harness - Spark Ignition	1		
14B*	1804703	Wire Harness - Power Supply			
15	2579800	Direct Spark Ignition Module	1	9608C5147	
16	1787341	Ignition Module Mtg Bracket	1		
17	1636000	Transformer - 24V / 240V	1		
18	1802101	Top Control Panel Mounting Bracket	1		
19	1774401	Cooling Fan Mounting Bracket	1	Jan-95	Mar-99
20	1671101	Cooling Fan 208 / 240 V.	1	Sep-97	Feb-98
	1671103	Cooling Fan 208 / 240 V.	1	Feb-98	Oct-99
21	1848101	Hi-Limit Bulb Clamp	1	Jun-97	
22	1848201	Hi-Limit	1	Jun-97	
23	1848102	Hi-Limit Bracket	1	Jun-97	
24*	1804713	Hi-Limit Harness	1	Jun-97	
25*	1028402	Ground Lug (208/240)	1		
26*	1028804	Snap Bushing	2		
	1028807	Snap Bushing	2		
27*	1804721	Wire Harness - 208/240V - 2 Speed Only	1		

* NOT ILLUSTRATED

RECOMMENDED STOCK PARTS

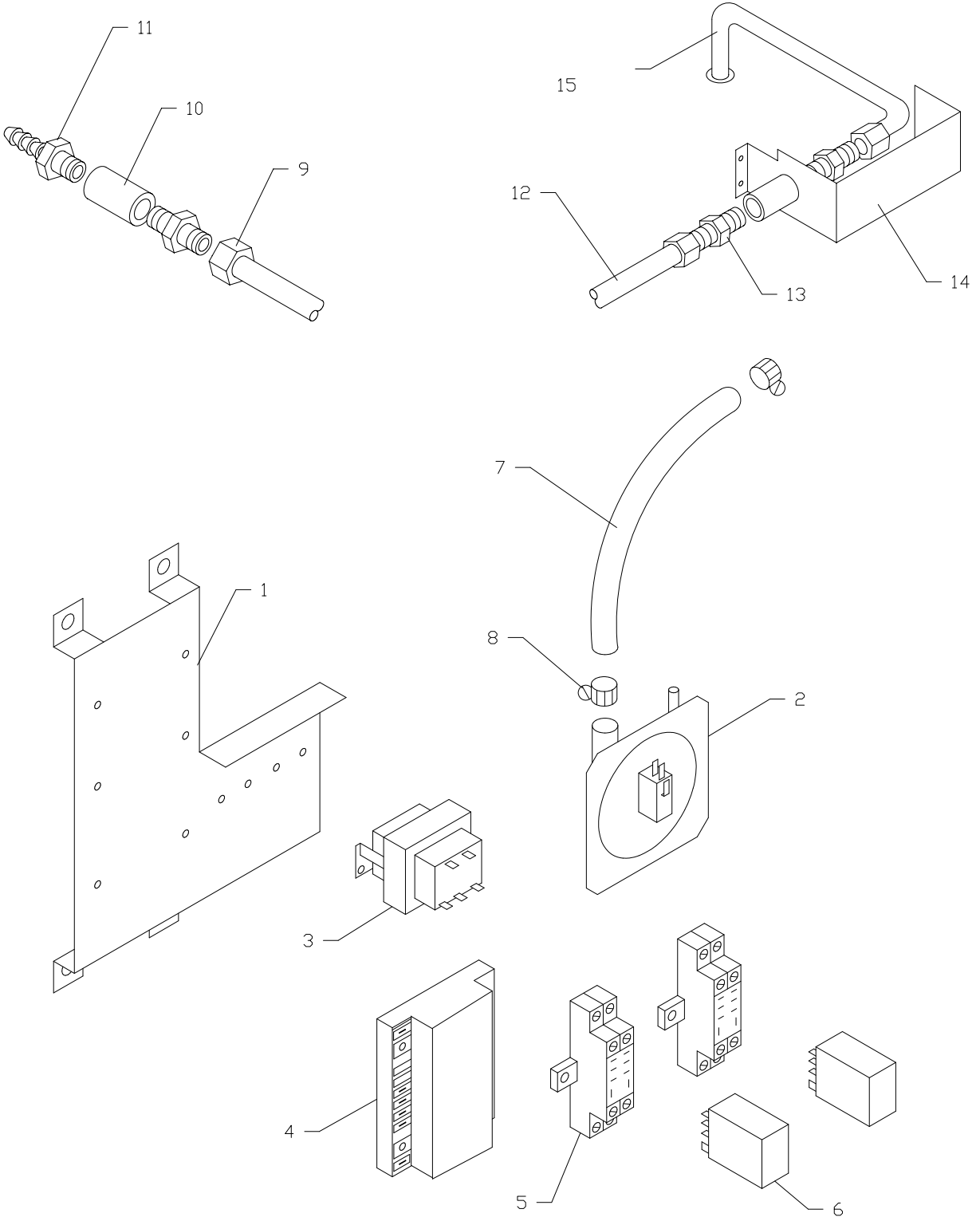


GARLAND PARTS IDENTIFICATION
DIGITAL CONTROL PANEL MCO-GS/GD-10 EU MODELS-CE UNITS

ITEM	PART #	DESCRIPTION	MCO-GS/GD-10 EU		
			QTY	FROM	TO
1	1802599	Control Panel Top	1		
2	1789605	Overlay Top Control Panel Gas	1		
3A	1802597	Control Panel COM6000	1	Sep-95	
3B	1802598	Control Panel Tiered Timer	1	Nov-89	
4	1789601	Overlay Gas COM6000 2 Speed	1		
	1789602	Overlay Gas COM6000 1 Speed	1		
	1789607	Overlay Tiered Timer - 15 Button	1	Nov-89	
5	1019203	Rocker Power Switch 2 Pos 1 Speed On/Off	1		
	1019207	Rocker Power Switch 3 Pos 2 Speed On/Off/On	1		
6	1019209	Rocker Power Switch 2 Pos On/Off	1		
7	1270000	Pilot Light Amber 28V	1		
8	1720501	Time/Temp Knob	2		
9	G03053-1	Momentary Switch Push Button	1		
10	1749201	Panel Restraining Bracket	1		
11	1517706	Gas/Electrical MCO Control NLA	1		
	1623403	Control -ULT-2 Key Gas (NLA)	1		Jun-95
	Note: Contact factory for the correct replacement control kit part number. Please provide equipment model and serial numbers.				
12A	9006800	Sensor Probe 5" W/36"Teflon	1		Feb-97
	1842901	Flange Mount Oven Probe (Rear Mount)	1	Feb-97	
12B	1842902	Probe Interconnect Harness	1	Feb-97	
13	1771602	Relay 240V 2 Pole	1		
14	1636000	Transformer - 24V / 240V	1		
15	2579800	Direct Spark Ignition Module	1	9608CJ147	
16	1787341	Ignition Module Mtg Bracket	1		
17	1804701	Wire Harness - COM6000	1		
	1804703	Wire Harness - Power Supply	1		
	1804706	Wire Harness - Tiered Timer	1		
18	1802101	Top Control Panel Mounting Bracket	1		
19	1665200	Tiered Timer - 15 Button	1	Nov-89	
20	1516600	Key Lock W/Backing Nut - Tiered Timer	1		
21	1848101	Hi-Limit Bulb Clamp	1	Jun-97	
22	1848201	Hi-Limit	1	Jun-97	
23	1848102	Hi-Limit Bracket	1	Jun-97	
24*	1804713	Hi-Limit Harness	1	Jun-97	
25*	1841701	Thermocouple Junction Box	1	Feb-97	
26*	1028804	Snap Bushing	2		
	1028807	Snap Bushing	2		
27	1671101	Cooling Fan 208 / 240 V.	1	Sep-97	Feb-98
	1671103	Cooling Fan 208 / 240 V.	1	Feb-98	Oct-99
28	1774401	Cooling Fan Mounting Bracket	1	Jan-95	Mar-99
29*	1804721	Wire Harness - 208/240V - 2 Speed Only	1		
30*	1028402	Ground Lug (208/240)	1		
CONVERSION KIT					
CK4025	MCO GS/GD - 10 - Manual To Electronic				

* NOT ILLUSTRATED

RECOMMENDED STOCK PARTS

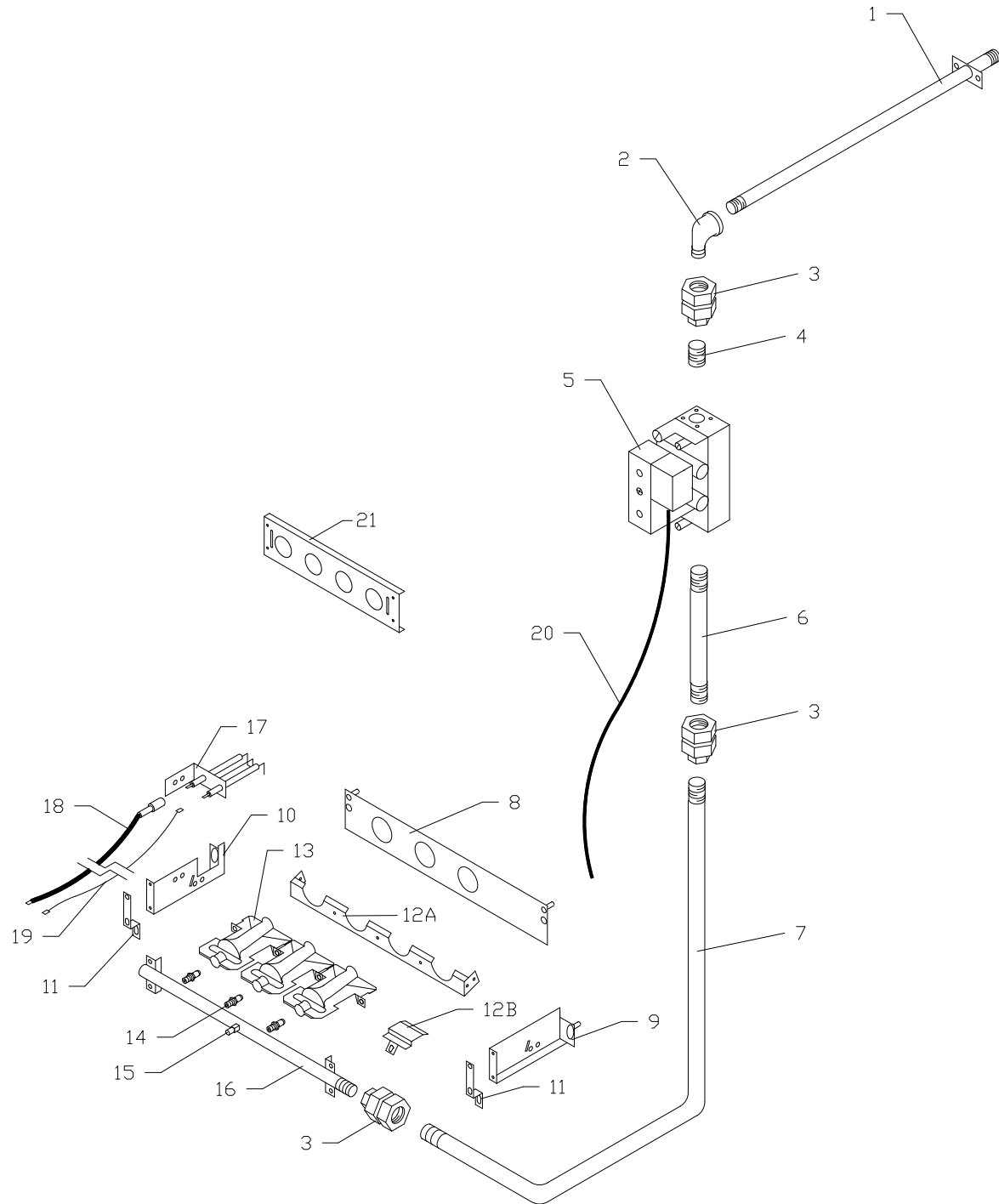


GARLAND PARTS IDENTIFICATION
CONTROL OPTION SECTION MCO-GS/GD-10 MU, EU MODELS-CE UNITS

ITEM	PART #	DESCRIPTION	MCO-GS/GD-10 MU, EU		
			QTY	FROM	UP TO
1	1787341	Ignition Module Mtg Bracket	1		
2	1960401	Air Pressure Switch	1		
3	1636000	Transformer - 240V / 24V	1		
4	2579800	Direct Spark Ignition Module	1		
5	2475600	Relay Socket	2		
6	2475501	Relay 240V	2		
7	250SILTUB	1/4 Silicone Tubing	1		
8	1029801	4" Cable Ties	2		
9	1034701	Straight Connector - 1/4 x 7/16cc	1		
10	1004806	1/4 NPT Pipe Coupling	1		
11	1848701	Hose Barb Fitting	1		
12	1900801	Air Supply Tube - 7/16 Tubing (NLA)	1		
13	1095499	Straight Connector 3/8x7/16 CC	2		
14	1814898	Outer Oven Vent Ass'y	1		
15	1848501	Flared Air Sensing Tube	1		

* NOT ILLUSTRATED

RECOMMENDED STOCK PARTS

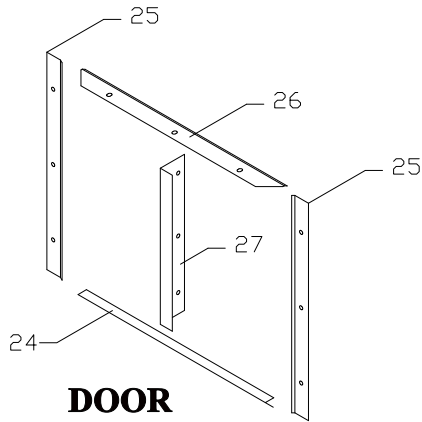


GARLAND PARTS IDENTIFICATION
BURNER PACKAGE SECTION MCO-GS/GD-10 MU, EU MODELS-CE UNITS

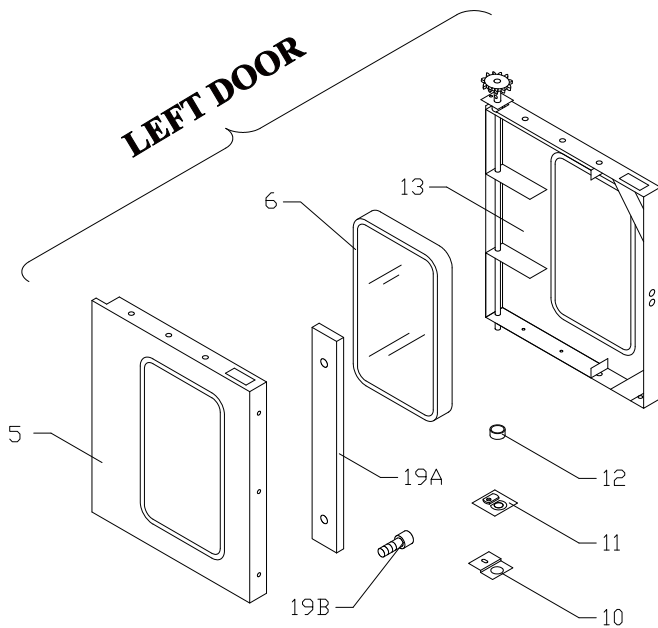
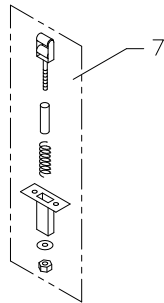
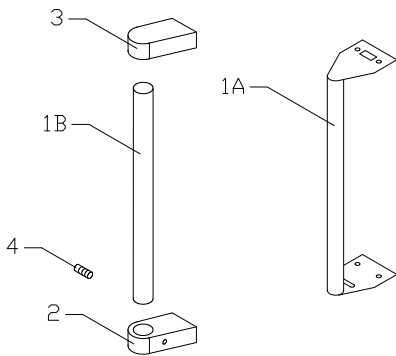
ITEM	PART #	DESCRIPTION	MCO-GS/GD-10 MU, EU		
			QTY	FROM	UP TO
1	1786449	Tail Pipe Std	1		
	1786448	Tail Pipe Deep	1		
2	1026733	1/2 NPT Street Elbow 90 Deg.	1		
3	1026903	Union 1/2" NPT	3		
4	1004640	Close Nipple 1/2"NPT x 1" Lg	1		
5	2579700	Multi Function Gas Valve	1		
6	1004642	Nipple 1/2" NPT x 2"	1		
7	1838501	Supply Manifold 1/2" Pipe	1		
8	1800902	Venturi Plate 60K BTU	1		Feb-97
	1800903	Venturi Plate 60K / 80K BTU	1	Feb-97	
9	1801298	Burner Mounting Bracket RT S/W	1		
10	1801299	Burner Mounting Bracker LT S/W	1		
11	1814601	Burner Pkg Mounting Bracket	2		
12A	1786801	Burner Rest	1		
12B	1847602	Carry Over Shield (as required)	3		
13	1803501	Inshot Burner	3		Feb-97
	1803501	Inshot Burner	4	Feb-97	
14	1804348	Natural Orifice 80K BTU. (.078")	3		Feb-97
	1804350	#50 - Natural Orifice 60K BTU	4	Feb-97	
	1804355	#55 - LP Burner Orifice	3		Feb-97
	1804356	#56 - Propane Orifice - 60K BTU	4	Feb-97	
15	G02251-1	Pressure Test Spigot	1		
16	1784442	Manifold Pipe	1		
17	4523601	Service Kit - Ignitor & Bracket MCO CE	1		
	1902001	Electrode Assembly (cw 36" wire)	1	Jan-98	
	1902002	Direct Spark Ignition	1	Jan-98	
	CK4038	Spark Igniter & Sensor Conv. Kit	1		
18	1815002	Hi Tension Ignition Wire	1		
19	1815003	Flame Sensor Wire 48"	1		
20	2579701	Plug With Cord	1		
	2579702	Gasket & Screw	1		
21	4520002	Adapter Bracket Inshot Burner	1	11-Apr-05	

* NOT ILLUSTRATED

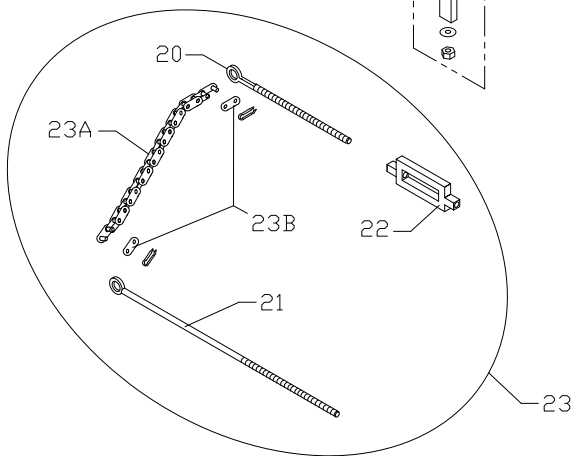
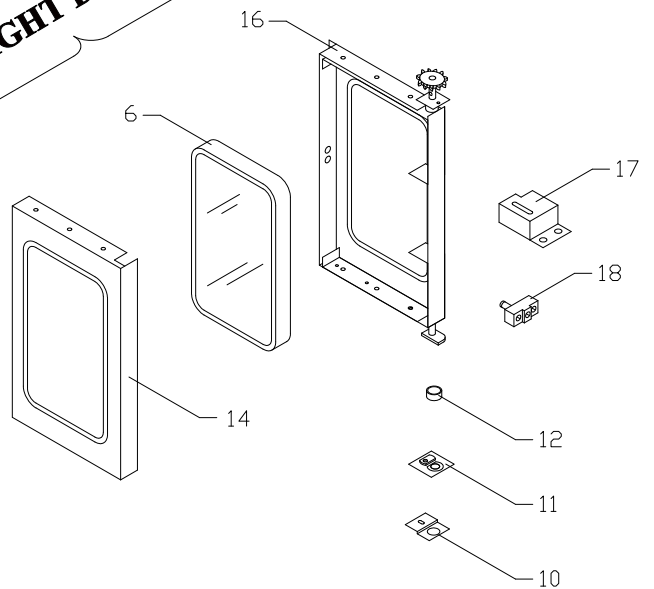
RECOMMENDED STOCK PARTS



DOOR SEALS



RIGHT DOOR

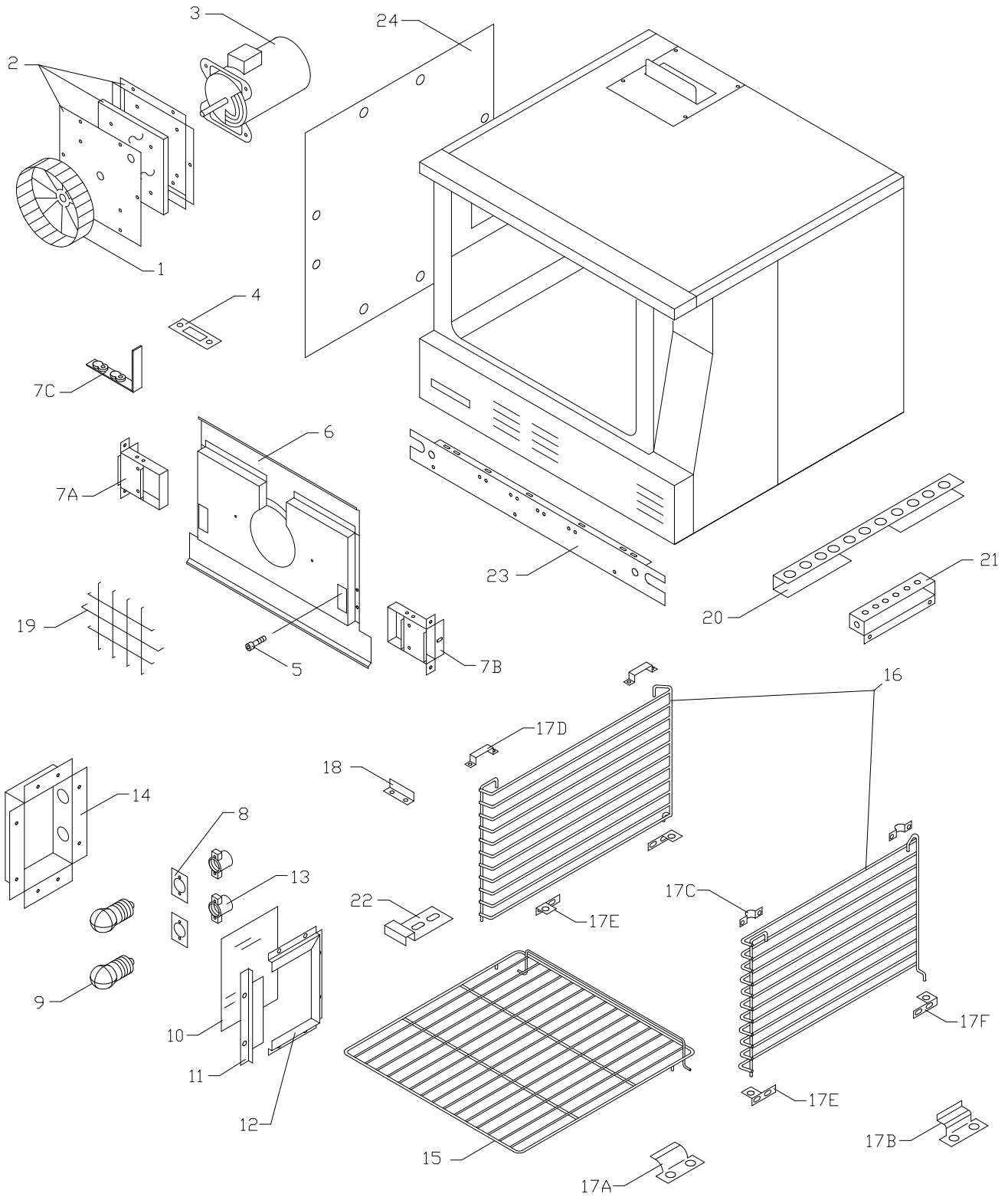


CHAIN

GARLAND PARTS IDENTIFICATION
DEPENDENT DOOR SECTION MCO-GS/GD-10 MU, EU MODELS-CE UNITS

ITEM	PART #	DESCRIPTION	MCO-GS/GD-10 MU, EU		
			QTY	FROM	UP TO
1A	1664802	Door Handle - Black	1		Feb-97
1B	1840999	Door Handle - Black	1	Feb-97	
2	1562604	Door Handle End Black - Bottom	1		Feb-97
3	1562605	Door Handle End Black - Top	1		Feb-97
4	8003800	Set Screw Socket (3 PC. Handle Only)	2		Apr-98
5	1803703	Left Door Panel - Window	1		
	1803704	Left Door Panel - Solid	1		
6	1010999	Oven Door Window (3/16" Glass)	1		
7	1757998	Latch Bench Assy.	1	Aug-95	
8	1810201	Door Catch	1		Apr-97
	1841201	Door Catch	1	Apr-97	
9*	1803797	Left Door Frame W/A NLA Replaced By CK1803795 -A or CK1803796 -A			
10	1302800	Upper Door Bearing Retainer	2		
11	1010589	Hinge Bracket Ass'y W/Bearing	2		
12	1011201	Steel Tubing Chrome Spacer	2		
13	1803706	Left Door Liner Only-Window-NLA-Replaced by CK1803795 -A			
	1803705	Lt.Door Liner Only-Solid-NLA-Replaced by CK1803796 -A			
	CK1803795-A	Lt Door Liner + Frame-Window, with Welded Cam	1	Apr-97	
	CK1803796-A	Lt Door Liner + Frame - Solid, with Welded Cam	1	Apr-97	
14	1803711	Rt Door Panel - Window	1		
	1803712	Rt Door Panel - Solid	1		
15*	1803798	Rt Door Frame-Window, with Welded Cam-NLA (R/B CK1803793-A or B)			
	1803799	Rt Door Frame-Solid with Welded Cam-NLA (R/B-CK1803794-A)			
	1803709	Rt Door Liner Only-Window-NLA (R/B CK1803793 -A or B)			
	1803710	Rt Door Liner Only-Solid-NLA (R/B CK1803794 - A or B)			
16	CK1803791-A	Rt Door Liner + Frame-Window,W/Welded Cam. (before Mar-99)			
	CK1803794-A	Rt Door Liner + Frame-Solid,W/Welded Cam (before Mar-99)			
17	1805801	Micro Switch Mounting Bracket	1		Mar-99
18	1019600	Door Micro Switch	1		Mar-99
19A	1663201	Handle Bracket Plate (used with 3 pc handle only)	1	May-96	Feb-97
19B	8003406	Hex Head Machine Screw 1/4-20 X 1"	2		Feb-97
20	1014201	Connecting Door Rod - Short (Not sold separately)	2		
21	1014200	Connecting Door Rod - Long (Not sold separately)	2		
22	1015000	Turnbuckle 1/4-20 with 4" Take Up (Dependent Door Only)	2		
23	4520166	Door Chain Assembly	2		
		Included 23A & 23B Fully Assembled			
23A	1021100	Roller Chain #40 (Dependent Door Only)	2		
23B	1021299	Connecting Links #40 Components	4		
24	1679301	Bottom Door Seal	1		Feb-97
	1841401	Bottom Door Seal Froward	1	Feb-97	
25	1679303	Side Door Seal	2		Feb-97
	1841403	Side Door Seal Forward	2	Feb-97	
26	1679302	Top Door Seal	1		Feb-97
	1841402	Top Door Seal Forward	1	Feb-97	
27	1841404	Side Door Seal Std. / Retro Fit	1	Feb-97	
COMPLETE DOOR ASSEMBLY PART NUMBERS					
	CK1803789-A	Lt Door Ass'y W/ Window, Welded Cam, 1 pc. Handle Dep. (all MCO-GS/GD models)			
	CK1803788-A	Lt Door Ass'y Solid, W/Welded Cam, 1 pc. Handle, Dep. (all MCO-GS/GD models)			
	CK1803785-A	Rt Door Ass'y W/Window,Welded Cam,Dep.(before Mar-99)			
	CK1803784-A	Rt Door Ass'y Solid, W/Welded Cam, Dep. (before Mar-99)			

* NOT ILLUSTRATED
RECOMMENDED STOCK PARTS



GARLAND PARTS IDENTIFICATION
OVEN COMPONENTS MCO-GS/GD-10 MU, EU MODELS-CE UNITS

ITEM	PART #	DESCRIPTION	MCO-GS/GD-10 MU, EU		
			QTY	FROM	UP TO
1	G02952-01P	Blower Wheel Assembly Plated	1		
2	1782198	Motor Pocket	1		
3	1686712	Motor 3/4 HP, 208/240V, 2 Speed	1	Jun-97	
4	1784301	Oven Vent Cap - 40K	2		
	1784302	Oven Vent Cap - 60K	2		
	1784303	Oven Vent Cap - 80K	2		
5	8004005	Allen Head Cap Screws - 1/4 - 20	4		
6	1802999	Fan Cover, SS S/W	1		
7A	1782599	Fan Cover Duct, Left	1		
7B	1782598	Fan Cover Duct, Right	1		
7C	1785997	Fan Duct Restrictor - 80K	2		
	1785998	Fan Duct Restrictor - 60K	2		
	1785999	Fan Duct Restrictor - 40K	2		
8	1025900	Light Socket Gasket	2		
9	1623900	Light Bulb 40W	2		
10	1676901	Glass Hi Temp	1		
11	1606801	Glass Frame Left	1		
12	1606802	Glass Frame	1		
13	1025800	Lamp Socket - Porcelain	2		
14	1678701	Light Box	1		
15	1607000	Master Conv Oven Rack- Standard 23" x 28"	6		
	1607010	Master Conv Oven Rack - Deep 27 "x 28"	6		
16	1607001	Oven Rack Guide - Standard 23" x 28"	2		Feb-97
	1704531	Oven Rack Guide 10 Pos. Left - 21" x 23"	1	Feb-97	
	1704532	Oven Rack Guide 10 Pos. Right - 21" x 23"	1	Feb-97	
	1704511	Oven Rack Guide 13 Pos. Standard - 24" x 20"	2		Feb-97
	1704535	Oven Rack Guide 13 Pos. Left - 20" x 23"	1	Feb-97	
	1704536	Oven Rack Guide 13 Pos. Right - 20" x 23"	1	Feb-97	
	1704502	Oven Rack Guide - Deep - 28" x 20"	2		Feb-97
	1704533	Oven Rack Guide - 10 Pos. Left -Deep - 20" x 27"	1	Feb-97	
	1704534	Oven Rack Guide - 10 Pos. Right- Deep -20" x 27"	1	Feb-97	
	1704512	Oven Rack Guide - 13 Pos. Deep - 20" x 28"	2		Feb-97
	1704537	Oven Rack Guide - 13 Pos. Left - Deep - 20" x 27"	1	Feb-97	
1704538	Oven Rack Guide - 13 Pos. Right - Deep - 20" x 27"	1	Feb-97		
17A	1317600	Rack Guide Clip	4		Jun-95
17B	1676801	Rack Guide Clip	6	Jun-95	May-96
	1676801	Rack Guide Clip	4	May-96	Feb-97
17C	1765209	Rack Mounting Clip	2	Feb-97	Sep-98
17D	1765212	Rack Clip	4	Sep-98	
17E	1765210	Lower Rack Guide Clip - A	2	Mar-97	
17F	1765211	Lower Rack Guide Clip - B	2	Mar-97	
18	1317601	Rack Guide Hold Down Bracket	2		May-97
19	1014500	Blower Inlet Cover	1		
20	1015799	Capillary Tube Guard	1	Sep-95	Dec-98

* NOT ILLUSTRATED

RECOMMENDED STOCK PARTS

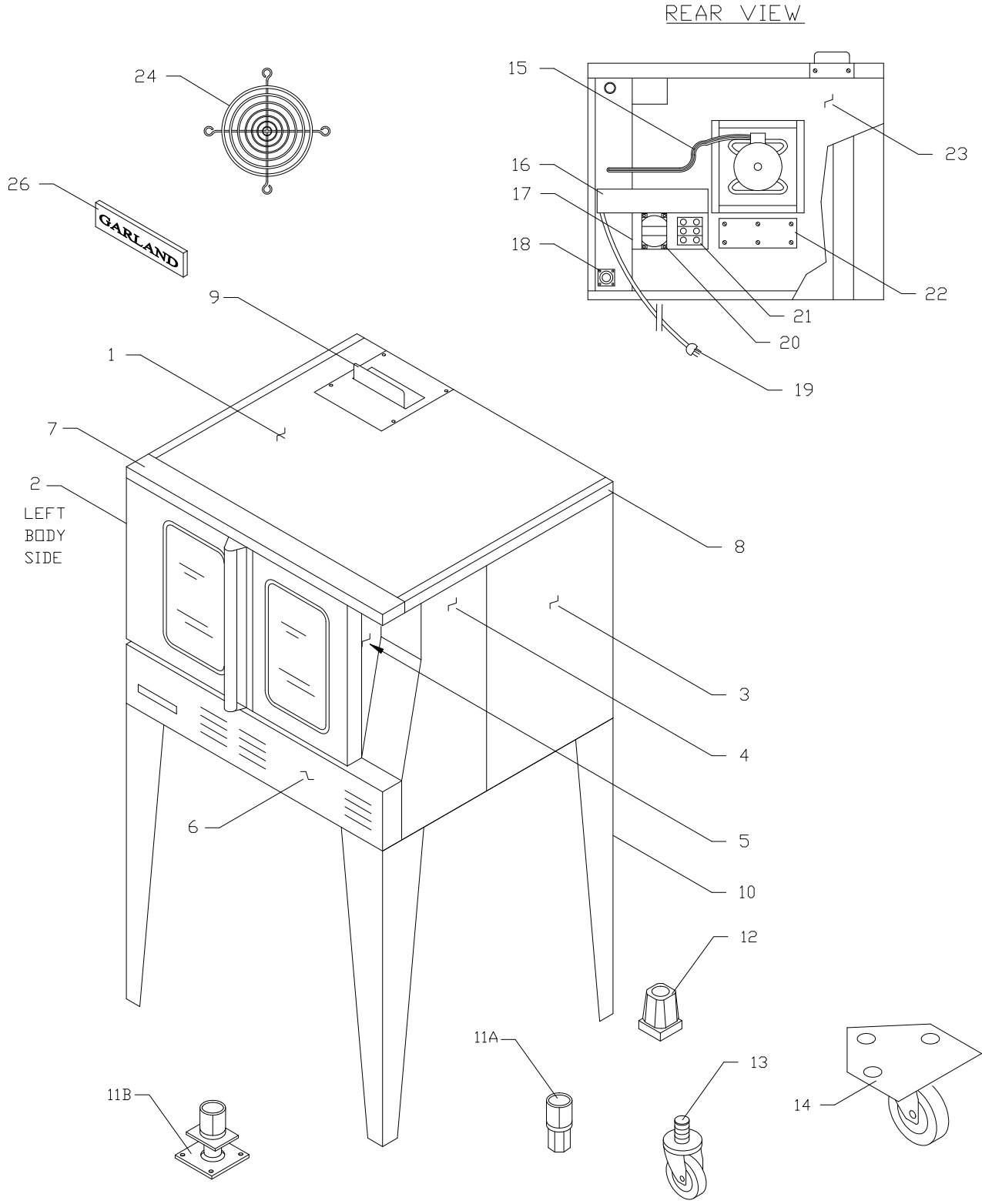
GARLAND PARTS IDENTIFICATION
OVEN COMPONENTS MCO-GS/GD-10 MU, EU MODELS-CE UNITS

ITEM	PART #	DESCRIPTION	MCO-GS/GD-10 MU, EU		
			QTY	FROM	UP TO
21	1800801	Sensing Probe Bulb Shield	1	Dec-98	
22	1676811	Rack Guide Clip	2	May-96	Apr-98
23	1803813	Front Frame Hinge Channel Bottom	1		
24	1809699	Oven Light Patch - Porcelain	1		
	1809601	Oven Light Patch - SS	1		
25*	CK1003091	Motor Ass'y - 2 Speed - 208/240V			

* NOT ILLUSTRATED

RECOMMENDED STOCK PARTS

NOTES



Main Exterior CE Units

GARLAND PARTS IDENTIFICATION
MAIN EXTERIOR MCO-GS/GD-10 MU, EU MODELS-CE UNITS

ITEM	PART #	DESCRIPTION	MCO-GS/GD-10 MU, EU		
			QTY	FROM	UP TO
1	1802801	Main Top GG	1		
	1802802	Main Top SS	1		
2	1785402	Body Side Left SS	1		
	1785404	Body Side Left GG	1		
3	1785401	Body Side Right SS	1		
	1785403	Body Side Right GG	1		
4	1785398	Control Panel Right S/W	1		
	1785399	Control Panel Right SS S/W	1		
5	1802701	Control Panel Left	1		
6	1807201	Combustion Chamber Gas	1		
7	1802299	Trim Cap Veneer S/W	1		
8	1829101	Main Top Side Trim	2		
9	1818201	Oven Vent Protection Plate - Std	1		
	1818203	Oven Vent Protection Plate - Deep	1		
10	1805299	Leg - Single Deck - Black - 23 15/16"	4		
	1805298	Leg - Single Deck - SS - 23 15/16"	4		
	1805399	Leg - Double Deck - Black - 5"	4		
	1805398	Leg - Double Deck - SS - 5"	4		
11A	1236100	1-1/2" Square Foot Insert	4		
11B	CK1236100	Deck Fastener / Bolt-Down Leg (optional)	1 PER LEG		
12	1775102	Caster Insert - Single Deck Only	4		
13	1027500	Caster - Single Deck Only	2		
	1027501	Caster W/Brake - Single Deck Only	2		
14	1821598	Caster - Double Deck Only	2		
	1821599	Caster W/Brake - Double Deck Only	2		
	1821596	Lo-Profile Caster - Double Deck Only	2		
	1821597	Lo-Profile Caster W/Brake - Double Deck Only	2		
15	1029426	3/8 BX Cable 26" Long	1		
16	1823001	Element Wire Raceway	1		
17	1827901	Transformer Shield	1		
18	1032504	Knockout Plate	1	Sep-95	
19	1029501	8' Long Power Supply Cord	1		
20	1030801	Transformer 240V 0.15 KVA (Hi Voltage Gas Units)	1	9608CJ146	
	1030802	Transformer 208V 0.15 KVA (Hi Voltage Gas Units)	1	9608CJ146	
21	1193900	Terminal Block - 3 Pole-Hi Voltage	1		
22	1809201	Element Patch	1		
23	1820301	Main Back Std SS	1		
	1820302	Main Back Std GG	1		
	1820303	Main Back - Deep SS	1		
	1820304	Main Back - Deep GG	1		
24	1919001	Cooling Fan Guard (OBS)	1	Mar-99	
25*	1782001	Instruction Label	1	May-96	
26	9004500	Garland Logo (Use 1902919)	1	Feb-96	Apr-98
	1902917	10" GARLAND Nameplate	1		

* NOT ILLUSTRATED
RECOMMENDED STOCK PARTS

GARLAND PARTS IDENTIFICATION

Revision History

REV. #	PAGE #	ITEM #	NOTE	DATE	
1			Book reformated	Nov 8/05	
2	10,11	21	Part number added	Dec 20/05	
3			Front page title changed	May 3/10	
	5		Part # deleted, was CK4028 (MCO GS/GD -10 - Digital To Manual 240V)		
	7	11	Note Added		
	9	2			Part # changed - was 2579900
		7			Part # changed - was 1839402 (1/4" Blue Rubber Tubing - 16" LG)
		8			Part # changed - was 1518100 (Mini Hose Clamp)
		12			No Longer Available
		15			Part # changed - was 1900802
11	17	Part # changed - was 2580800 (Ign Electrode / Flame Sensor) by 4523601			

 **Garland**[®]